



## Local, Caution Spotlight Fittings BAJ52-20 Series Explosion-proof Emergency Light Fittings

- ◆ Explosion protection to
  - CENELEC
  - IEC
- ◆ Can be used in
  - Zone 1 and Zone 2
- ◆ Enclosure in copper-free aluminium, powder coated external surface, yellow (RAL1021).
- ◆ Lighting angle can be adjusted.
- ◆ Low-power halogen tungsten lamps, with reflector to increase lighting intensity.
- ◆ Emergency device with NI-MH batteries, charging automatically; when power supply is cut off, the emergency device starts to work; with over charge and over discharge protection.
- ◆ Toughened glass cover resistant to temperature changes.

**Technical data**

**Explosion-proof emergency light fittings BAJ52-20**

**Explosion protection**

Gas explosion protection

II 2 G Ex d IIB T4

**Certificates**

For gas explosion protection

LCIE 07 ATEX 6086; IECEx CQM 08. 0001; BVC 10.0019 (Brazil)

**Conformity to standards**

EN 60079-0: 2004, EN 60079-1: 2004

IEC 60079-0: 2004, IEC 60079-1: 2003

**Material**

Enclosure

Copper-free aluminium, powder coated external surface, yellow (RAL1021)

Exposed fastener

Stainless steel

**Rated voltage**

220~240V AC 50/60Hz

**Lamp**

Available lamp

Halogen tungsten lamp (LED on request)

Lamp power (W)

2 x 10W (LED lamp power: 2 x 1W)

Emergency time

90min

Rated luminous flux

Halogen tungsten lamp: 2 x 100lm (LED lamp: 2 x 90lm)

**Battery**

Description

NI-MH battery

Rated capacity

6Ah

Rated voltage

6V

Charge current

300mA

Discharge current

1000mA

Charge time

24h

**Degree of protection**

IP65

**Ambient temperature**

-20°C ~ +55°C

**Terminal**

3 x 1.5~2.5mm<sup>2</sup> (L+N+PE)

**Cable entries**

2 x G3/4" Plug

**Cable gland (optional)**

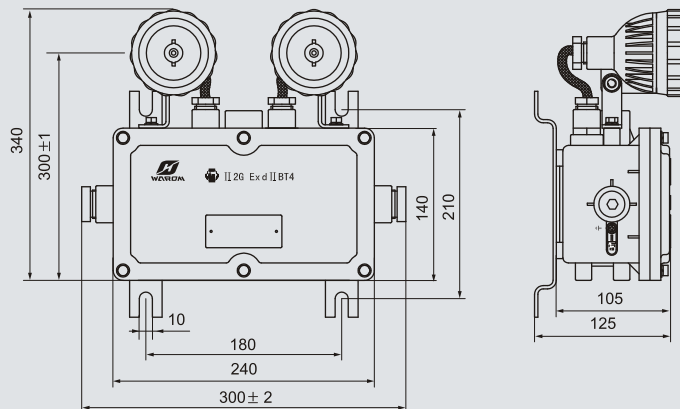
DQM-II (Ex d) or DQM-III (Ex d) is recommended. Please see P7/20~25.

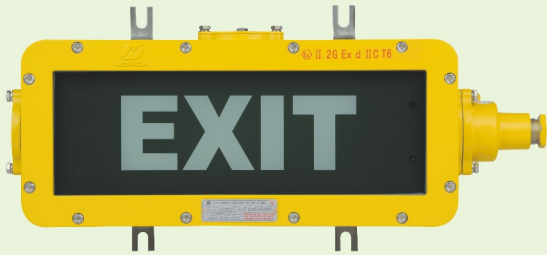
**Weight**

5.05kg



**Dimension drawings (all dimensions in mm) - subject to alteration**

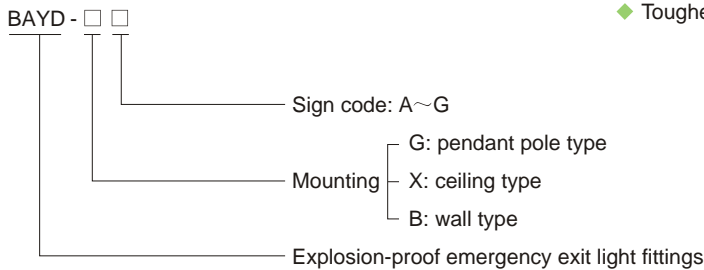




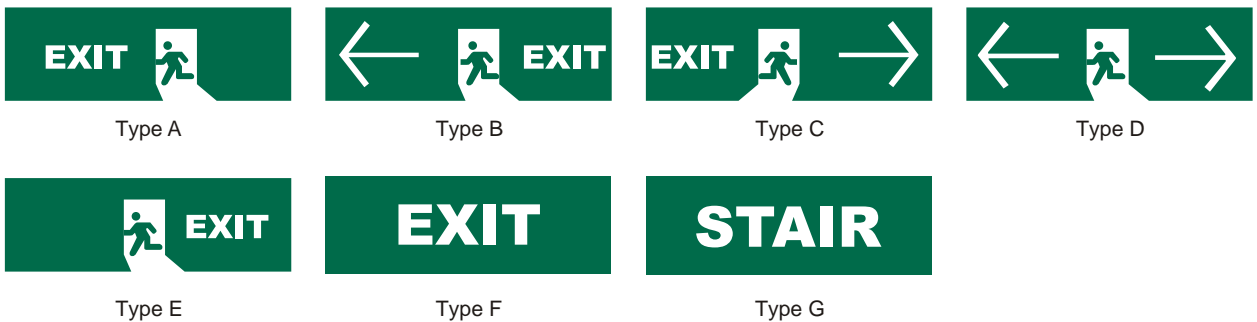
### Local, Caution Spotlight Fittings BAYD Series Explosion-proof Emergency Exit Light Fittings

- ◆ Explosion protection to
  - CENELEC
  - IEC
- ◆ Can be used in
  - Zone 1 and Zone 2
  - Zone 21 and Zone 22
- ◆ Lighting both in condition normal and emergency condition; When power supply is cut off, the emergency device starts to work; with over charge, over discharge protection and short circuit protection.
- ◆ With test pushbutton, convenient to check the emergency function. Press the test pushbutton, the light will switch into emergency condition.
- ◆ Ultra-bright LED lamp, low power consumption and long service life up to 50,000 hours; energy saving and environmental protection.
- ◆ Enclosure in copper-free aluminium, powder coated external surface, yellow (RAL 1021).
- ◆ Toughened glass sheet resistant to temperature changes.

#### Catalogue number logic



#### Sign code type A-G



Zones 1&2; 21&22

Technical data	
Explosion-proof emergency exit light fittings BAYD-□□	
<b>Explosion protection</b>	<p>Gas explosion protection <math>\text{Ex II 2 G Ex d IIC T6}</math></p> <p>Dust explosion protection <math>\text{Ex tD A21 T80°C IP65}</math></p>
<b>Certificates</b>	<p>For gas explosion protection LCIE 07 ATEX 6005X; IECEx LCI 08. 0012X; GOST.R (Russia)</p> <p>For dust explosion protection PCEC (China)</p>
<b>Conformity to standards</b>	<p>EN 60079-0: 2004, EN 60079-1: 2004</p> <p>IEC 60079-0: 2004, IEC 60079-1: 2003, IEC 61241-0: 2004, IEC 61241-1: 2004</p>
<b>Material</b>	<p>Enclosure Copper-free aluminium, powder coated external surface, yellow(RAL1021)</p> <p>Exposed fastener Stainless steel</p>
<b>Rated voltage</b>	220~240V AC 50/60Hz
<b>Lamp</b>	LED lamp (working voltage DC 3.6V)
<b>Power consumption</b>	2W
<b>Emergency time</b>	180min
<b>Battery</b>	
Rated capacity	1400mAh
Charge time	24h
<b>Earthing protection</b>	M5 (internal & external earth bolts)
<b>Degree of protection</b>	IP65
<b>Ambient temperature</b>	-20°C~+55°C
<b>Terminal</b>	3 x 1.5~2.5mm <sup>2</sup> (L+N+PE)
<b>Cable entries</b>	1 x G3/4" for wall type or ceiling type; 2 x M25 x 1.5 for pendant pole type
<b>Cable gland</b>	<p>1. For wall type and ceiling type, supplied with seal gasket and gland nut; Cable gland on request.</p> <p>2. For pendant pole type, supplied with BHD51-F explosion-proof junction box, (copper-free aluminium); M25 x 1.5 plug or Ex d cable gland is optional, DQM-II (Ex d) or DQM-III (Ex d) is recommended. Please see P7/20~25.</p>
<b>Available cable outer diameter</b>	Φ10~Φ14 (mm)
<b>Weight</b>	6.40kg



**Dimension drawings (all dimensions in mm) - subject to alteration**

